



Explosion Protection by SUREALL



To Be SURE  
To Be ALL



SUREALL TECHNOLOGY LIMITED

✉ [sales@sure-all.com](mailto:sales@sure-all.com)

☎ +86 731 8571 5806

☎ +86 153 8801 6808

📍 Add: No.8,Road 3 Fenglin, District Yuelu Changsha, Hunan, China

🌐 [www.sure-all.com](http://www.sure-all.com)

## Product Catalogue

Cable Glands, Connectors and Conduit Couplings  
Explosion Protected For Use in Hazardous Locations



SUREALL TECHNOLOGY LIMITED





# Profile

SUREALL Technology Limited is a prestigious company manufacturing products including EXPLOSION-PROOF luminaires, electrical apparatus, pipe fittings, heating-ventilation-air conditioning(HAVC), serving explosion-proof solutions in petroleum, petrochemical, maritime, infrastructure industry on shore and offshore, specializing in products R&D, manufacturing, sales for explosion-proof luminaires and HVAC for 15 years with efforts of specialized and trained professional staff with extensive expertise and experience.

Dedicated to offer safe, durable and cost-effective explosion-proof luminaires and HVAC, SUREALL insist on continuous technology innovation and lead in the state-of-the-art explosion-proof technology, the R&D department concentrate in research, develop and design the different products subject to different markets need including IECEx, EU, NEC500 standard through adopting CAD and 3D design software. Most products are certified by IECEx, ATEX, UL, CSA and broad products portfolio could meet different requirements in different project sites in diversified climate and hazardous environment all over the world.



## Sales



SUREALL TECHNOLOGY LIMITED  
No.8, Road 3rd Fenglin, District Yuelu  
Changsha, Hunan, China  
Tel: +86 731 8571 5806  
Email: sales@sure-all.com

→ Web: [www.sure-all.com](http://www.sure-all.com)

Aiming to create an international brand, SUREALL have been presented in more than 20 countries with excellent professional reputation and have involved many international oil exploitation, oil refinery, petrochemical, chemical, maritime, pharmaceutical and military plants in different industries. Besides, SUREALL have been making efforts to develop the global market and gaining stronger brand recognition, and we sincerely invite any interested parties to join us to create a new global brand.

***Choose SUREALL, Sure for All!***



# CONTENT

**Part 1 - General Information for Use in Hazardous Locations 03**

**Part 2 - Cable Gland For use in Hazardous Locations 07**

**SGP Series Cable Gland 07**

**For all types of non-armored cable  
Non-metallic material, polyamide**



**SGM Series Cable Gland 09**

**For all types of non-armored cable  
Metallic material**



**SGN Series Cable Gland 11**

**For all types of non-armored cable and type P cable  
Metallic material, dual seal**



**SGA Series Cable Gland 13**

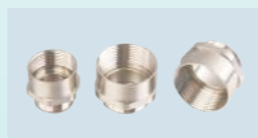
**For all types of armored cable  
Metallic material, dual seal**



**Part 3 – Connectors for use in Hazardous Locations 15**

**SA Series Adaptors and SR Series Reducers 15**

• SA series adaptors connect two same hubs sizes



• SR series reducer connect a certain hub size to a smaller



**SU Series Unions and SE Series Elbows 17**

• SU series unions connect hubs with detachable assembly



• SE series elbows connect hubs with 90°/45° direction change



**Part 4 – Conduit Outlet Boxes/Coupling for use in Hazardous Locations 21**

**SCB Series Conduit Outlet Boxes 21**

Connect cable conductors in different directions



**SCC Series Conduit Couplings 22**

Connect hubs with 90° bend



**SCS Series Conduit Sealing Couplings 24**

Connect hubs with sealing



**SFC Series Flexible Couplings 26**

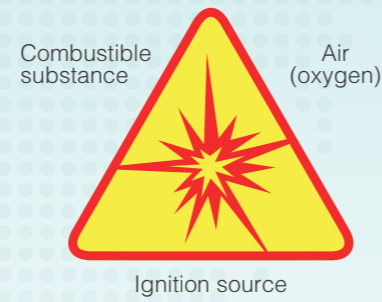
Connect hubs with different flexible bends



# General Information for Use in Hazardous Locations

## 1. Explosion Formation

Explosion takes place in the conditions of the following factors:  
 >Combustible substances, such as gas, vapour, mist and dust  
 >Air (oxygen)  
 >Ignition source

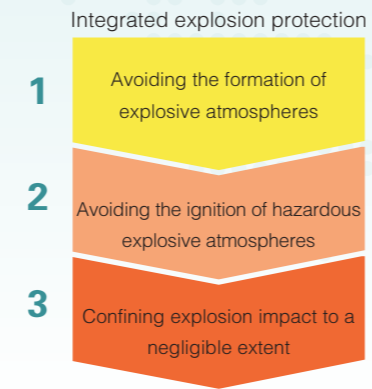


## 2. Explosion Protection

In order to avoid explosions and consequential dangers, the operator must incorporate effective explosion-proof protection precautions.

Measures :

- >Avoiding the formation of explosive atmospheres
- >Avoid the ignition of hazardous explosive atmospheres
- >Confining explosion impact to a negligible extent



## 3. Hazardous Location Classification

Hazardous locations are classified into different Group/Class, Zones/Divisions depending on the composition and presence of a flammable substance, which enables anyone to select the suitable explosion-proof equipments.

### 3.1 Group/Class

Locations	Group		Class
	EU	IEC	US NEC500
methane under mine	Group I	Group I	M
hazardous gas and vapour	Group II	Group II	Class I
hazardous dust		Group III	Class II
hazardous fiber			Class III

### 3.2 Division/Zone

Gas and Vapour			
Presence Frequency	Flammable Substances		
	Present Continuously	Present Intermittently	Present Abnormally
EU/IEC	Zone 0	Zone 1	Zone 2
US NEC500	Division 1		Division 2

Dust and Fiber			
Presence Frequency	Flammable Substances		
	Present Continuously	Present Intermittently	Present Abnormally
EU/IEC	Zone 20	Zone 21	Zone 22
US NEC500	Division 1		Division 2

## 4. Flammable Substances Classification

Flammable substances are classified into different groups depending on the exact flammable substances, which enables anyone to select the suitable explosion-proof equipments.

Gas and Vapour		
Typical Gas and Vapour	EU/IEC	NEC500
Acetylene C <sub>2</sub> H <sub>2</sub>	IIC	Class I/Group A
Hydrogen H <sub>2</sub>	IIB+H2	Class I/Group B
Ethylene C <sub>2</sub> H <sub>4</sub>	IIB	Class I/Group C
Propane C <sub>3</sub> H <sub>8</sub>	IIA	Class I/Group D
Methane CH <sub>4</sub>	I	Mining

Dust and Fiber		
Typical Dust and Fiber	EU/IEC	NEC500
Metal dusts	IIIC	Class II/Group E
Carbonaceous dusts	IIIB	Class II/Group F
Non-conductive dusts	IIIB	Class II/Group G
Fibers and flyings	IIIA	Class III





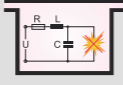
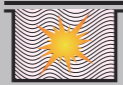


## 5. Explosive Temperature Classification

Explosive temperature is the lowest temperature of a surface of an explosion-proof product at which a flammable substance is able to ignite on it. Explosion-proof products may be classified into different temperature groups.

Marking	EU/IEC	US NEC500
450°C	T1	T1
300°C	T2	T2
280°C		T2A
260°C		T2B
230°C		T2C
215°C		T2D
200°C	T3	T3
180°C		T3A
165°C		T3B
160°C		T3C
135°C	T4	T4
120°C		T4A
100°C	T5	T5
85°C	T6	T6



## 6. Explosion-proof Protection Types

Ex-Mark	Protection Types	Diagram	Illustration
Ex d	Flameproof		The enclosures are constructed so that the internal explosions can not be transmitted to the external atmosphere
Ex e	Increased safety		Prevention to ignition sources, only simple electrical components
Ex p	Pressurized		Electrical parts are purged and pressurized with a protective gas
Ex q	Powder filling		Electrical parts are submerged in a quartz powder
Ex i	Intrinsic safety		Limitation of the energy stored in the electrical circuits
Ex o	Oil immersion		Electrical parts are submerged in oil
Ex m	Encapsulation		Electrical parts are encapsulated in a specific resin
Ex n	"n" protection		No ignition source in normal operation, no sparks, no hot surfaces





## SGP Series Cable Gland For use in Hazardous Locations

For all types of non-armored cable  
Non-metallic material, polyamide



### Features

- > Wide cable outer connection diameters
- > Integrated sealing lip on thread
- > Low torque required for tightening
- > High flame retardant property, UV resistance
- > Metric thread (M16x1.5 - M63x1.5) and NPT thread (NPT3/8" - NPT2")
- > Ingress protection: standard IP66, optional IP68 with special sealing
- > Operating Temperature: -40°C ~ +100°C

### Standard Material

- > Polyamide, black (optional grey white)

### Kit Accessories Options

K0: no accessories

K1: with locknut and seal washer



Locknut



Seal washer

### Certifications

#### ATEX Certifications

II 2 G Ex eb IIC Gb  
Zone 1, Zone 2 Group IIA, IIB and IIC  
II 2 D Ex tb IIIC Db  
Zone 21, Zone 22 Group IIIA, IIIB and IIIC

#### IECEx Certifications

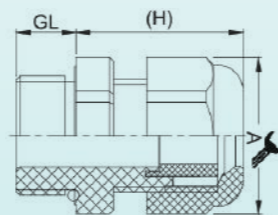
Ex eb IIC Gb  
Zone 1, Zone 2 Group IIA, IIB and IIC  
Ex tb IIIC Db  
Zone 21, Zone 22 Group IIIA, IIIB and IIIC

#### UL Certifications

Class I, Division 2, Group A B C D  
Class II, Division 1, Group E F G  
Type 4X

### Catalogue Numbering System

SGP	01	M	K0
Thread Code	Thread Type	Kit Accessories	
M16x1.5 – M63x1.5	M: Metric thread	K0: no accessories	
NPT3/8" – NPT2"	N: NPT thread	K1: Locknut & Seal	

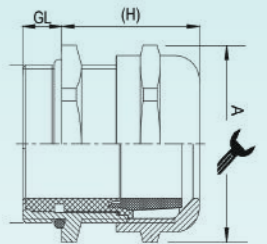


### Ordering Information

Metric Thread		NPT Thread		Cable outer diameter(mm)	Thread length(mm)	Protrusion length(mm)	Across flats(mm)
Size	Cat.#	Size	Cat.#	–	GL	H	A
<b>Short Thread</b>							
M16x1.5	SGP01M	NPT3/8"	SGP01N	2.5–6	8	22	19
M16x1.5	SGP02M	NPT3/8"	SGP02N	4–8	8	22	19
M16x1.5	SGP03M	NPT3/8"	SGP03N	5–10	8	25	22
M20x1.5	SGP04M	NPT1/2"	SGP04N	5–9	9	26.5	24
M20x1.5	SGP05M	NPT1/2"	SGP06N	6–12	9	26.5	24
M20x1.5	SGP06M	NPT1/2"	SGP06N	8–14	10	28	27
M25x1.5	SGP07M	NPT3/4"	SGP07N	11–16	11	31.5	33
M25x1.5	SGP08M	NPT3/4"	SGP08N	13–18	11	31.5	33
M32x1.5	SGP09M	NPT1"	SGP09N	14–21	11	39	42
M32x1.5	SGP10M	NPT1"	SGP10N	18–25	11	39	42
M40x1.5	SGP11M	NPT1 1/4"	SGP11N	22–32	13	48.5	53
M50x1.5	SGP12M	NPT1 1/2"	SGP12N	30–38	15	47.3	60
M63x1.5	SGP13M	NPT 2"	SGP13N	37–44	15	47	68
<b>Long Thread</b>							
M16x1.5	SGP14M	–	–	2.5–6	15	22	19
M16x1.5	SGP15M	–	–	4–8	15	22	19
M16x1.5	SGP16M	–	–	5–10	15	25	22
–	–	NPT3/8"	SGP14N	2–6	11	25	20
–	–	NPT3/8"	SGP15N	4–8	11	25	24
M20x1.5	SGP17M	–	–	5–9	15	26.5	24
M20x1.5	SGP18M	–	–	6–12	15	26.5	24
M20x1.5	SGP19M	–	–	8–14	15	28	27
–	–	NPT1/2"	SGP17N	5–9	13	26.5	24
–	–	NPT1/2"	SGP18N	6–12	13	26.5	24
M25x1.5	SGP20M	–	–	11–16	15	33	33
M25x1.5	SGP21M	–	–	13–18	15	33	33
–	–	NPT3/4"	SGP20N	11–16	13	31.5	30
–	–	NPT3/4"	SGP21N	13–18	13	31.5	30
M32x1.5	SGP22M	–	–	14–21	15	42	42
M32x1.5	SGP23M	–	–	18–25	15	42	42
–	–	NPT1"	SGP22N	14–21	16	39	40
–	–	NPT1"	SGP23N	18–25	16	39	40

## SGM Series Cable Gland For use in Hazardous Locations

For all types of non-armored cable  
Metallic material



### Features

- > Wide cable outer connection diameters
- > Secure against self-losing
- > Silicon modified rubber internal sealing
- > Low torque required for tightening
- > Corrosion resistance, impact resistance, EMC application
- > Metric thread (M16x1.5-M63x1.5) and NPT thread (NPT3/8" - NPT2")
- > Ingress protection: standard IP66, optional IP68 with special sealing
- > Operating Temperature: -40 °C ~ +100 °C

### Standard Material

- > Nickel Plated Brass
- > 304 Stainless Steel
- > 316 Stainless Steel

### Kit Accessories Options

K0: no accessories

K1: ■ Locknut ■ Seal washer

K2: ■ Locknut ■ Seal washer ■ Earth lug

K3: ■ Locknut ■ Seal washer ■ Earth lug ■ Sheath



Locknut



Seal washer



Earth lug



Sheath

### Certifications

#### ATEX Certifications

II 2 G Ex eb IIC Gb

Zone 1, Zone 2 Group IIA, IIB and IIC

II 2 D Ex tb IIIC Db

Zone 21, Zone 22 Group IIIA, IIIB and IIIC

#### UL Certifications

Class I, Division 2, Group A B C D

Class II, Division 1, Group E F G

Type 4X

#### IECEX Certifications

Ex eb IIC Gb

Zone 1, Zone 2 Group IIA, IIB and IIC

Ex tb IIIC Db

Zone 21, Zone 22 Group IIIA, IIIB and IIIC

### Ordering Information

Metric Thread		NPT Thread		Cable outer diameter(mm)	Thread length(mm)	Protrusion length(mm)	Across flats(mm)
Size	Cat.#	Size	Cat.#	–	GL	H	A
M16x1.5	SGM01M	NPT3/8"	SGM01N	3–6.5	7	20	14
M16x1.5	SGM02M	NPT3/8"	SGM02M	4–8	7	21	17
M16x1.5	SGM03M	NPT3/8"	SGM03M	5–10	7	22.5	20
M20x1.5	SGM04M	NPT1/2"	SGM04N	5–10	7	22.5	20
M20x1.5	SGM05M	NPT1/2"	SGM05N	6–12	7	23.5	22
M20x1.5	SGM06M	NPT1/2"	SGM06N	8–14	7	23	24
M25x1.5	SGM07M	NPT3/4"	SGM07N	8–14	7	23	24
M25x1.5	SGM08M	NPT3/4"	SGM08N	10–16	7	24.5	28
M25x1.5	SGM09M	NPT3/4"	SGM09N	13–18	7	26	30
M32x1.5	SGM10M	NPT1"	SGM10N	13–18	8	26	30
M32x1.5	SGM11M	NPT1"	SGM11N	15–22	8	28	36
M32x1.5	SGM12M	NPT1"	SGM12N	18–25	8	33	40
M40x1.5	SGM13M	NPT1 1/4"	SGM13N	18–25	9	33.5	40
M40x1.5	SGM14M	NPT1 1/4"	SGM14N	22–30	9	35.5	45
M40x1.5	SGM15M	NPT1"	SGM15N	22–32	9	38.5	50
M50x1.5	SGM16M	NPT1 1/2"	SGM16N	30–38	9	40	58
M63x1.5	SGM17M	NPT 2"	SGM17N	37–44	10	41	65
M63x1.5	SGM17M	NPT 2"	SGM18N	42–53	10	44.5	75

### Catalogue Numbering System

SGP

01

Thread Code

M16x1.5 – M63x1.5

NPT3/8" – NPT2"

M

Thread Type

M: Metric thread

N: NPT thread

K0

Kit Accessories

K0: no accessories

K1: Locknut & Seal washer

K2: Locknut & Seal washer & Earth lug

K3: Locknut & Seal washer & Earth lug & Sheath

## SGN Series Cable Gland For use in Hazardous Locations

For all types of non-armored cable and type P cable  
Metallic material, dual seal



### Features

- > Wide cable outer connection diameters
- > Controlled pulling resistance
- > Low torque required for tightening
- > Flameproof sealing on the outer sheath of non-armored cable
- > Dual silicon modified rubber internal sealing, optional: single sealing
- > Superior corrosion resistance, high strength impact resistance, EMC application
- > Metric thread (M16x1.5-M63x1.5) and NPT thread (NPT3/8" - NPT2")
- > Ingress protection: standard IP66, optional IP68 with special sealing
- > Operating Temperature: -40°C ~ +130°C

### Standard Material

- > Nickel Plated Brass
- > 304 Stainless Steel
- > 316 Stainless Steel

### Kit Accessories Options

K0: no accessories

K1: ■ Locknut ■ Seal washer

K2: ■ Locknut ■ Seal washer ■ Earth lug

K3: ■ Locknut ■ Seal washer ■ Earth lug ■ Serrated washer

K4: ■ Locknut ■ Seal washer ■ Earth lug ■ Serrated washer ■ Sheath



Locknut



Seal washer



Earth lug



Serrated washer



Sheath

### Certifications

#### ATEX Certifications

Ex II 2 G Ex db IIC Gb

Zone 1, Zone 2 Group IIA, IIB and IIC

Ex II 2 D Ex tb IIIC Db

Zone 21, Zone 22 Group IIIA, IIIB and IIIC

#### IECEX Certifications

Ex db IIC Gb

Zone 1, Zone 2 Group IIA, IIB and IIC

Ex tb IIIC Db

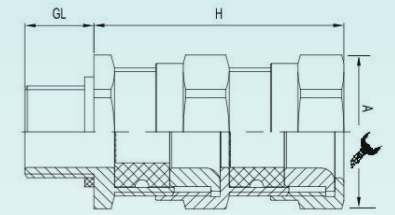
Zone 21, Zone 22 Group IIIA, IIIB and IIIC

### UL Certifications

Class I, Division 1, Group A B C D

Class II, Division 1, Group E F G

Type 4X



### Ordering Information

Metric Thread		NPT Thread		Cable outer diameter(mm)	Thread length(mm)	Protrusion length(mm)	Across flats(mm)
Size	Cat.#	Size	Cat.#	–	GL	H	A
M16x1.5	SGN01M	NPT3/8"	SGN01N	6–12	15	48	26
M20x1.5	SGN02M	–	–	10–15	15	54.5	30
–	–	NPT1/2"	SGN02N	10–15	20	54.5	30
M25x1.5	SGN03M	–	–	14–18	15	54.5	34
–	–	NPT3/4"	SGN03N	14–18	21	54.5	34
M32x1.5	SGN04M	–	–	22–27	15	58	50
–	–	NPT1"	SGN04N	22–27	26	58	50
M40x1.5	SGN05M	–	–	26–33	15	58	55
–	–	NPT1 1/4"	SGN05N	26–33	26	58	55
M50x1.5	SGN06M	–	–	32–41	15	67	65
–	–	NPT1 1/2"	SGN06N	32–41	27	67	65
M63x1.5	SGN07M	–	–	48–57	20	68	80
–	–	NPT 2"	SGN07N	40–49	27	67	75

### Catalogue Numbering System

**SGP**

**01**

Thread Code

M16x1.5 – M63x1.5

NPT3/8" – NPT2"

**M**

Thread Type

M: Metric thread

N: NPT thread

**K0**

Kit Accessories

K0: no accessories

K1: Locknut & Seal washer

K2: Locknut & Seal washer & Earth lug

K3: Locknut & Seal washer & Earth lug & Serrated washer

K4: Locknut & Seal washer & Earth lug & Serrated washer & Sheath



## SGA Series Cable Gland For use in Hazardous Locations

For all types of armored cable  
Metallic material, dual seal



### Features

- > Wide cable outer connection diameters
- > Controlled pulling resistance
- > Low torque required for tightening
- > Flameproof sealing on the outer sheath of non-armored cable
- > Dual silicon modified rubber internal sealing, optional: single sealing
- > Superior corrosion resistance, high strength impact resistance, EMC application
- > Metric thread (M16x1.5-M63x1.5) and NPT thread (NPT3/8" - NPT2")
- > Ingress protection: standard IP66, optional IP68 with special sealing
- > Operating Temperature: -40°C ~ +130°C

### Standard Material

- > Nickel Plated Brass
- > 304 Stainless Steel
- > 316 Stainless Steel

### Kit Accessories Options

K0: no accessories

K1: ■ Locknut ■ Seal washer

K2: ■ Locknut ■ Seal washer ■ Earth lug

K3: ■ Locknut ■ Seal washer ■ Earth lug ■ Serrated washer

K4: ■ Locknut ■ Seal washer ■ Earth lug ■ Serrated washer ■ Sheath



Locknut



Seal washer



Earth lug



Serrated washer



Sheath

### Certifications

#### ATEX Certifications

II 2 G Ex db IIC Gb

Zone 1, Zone 2 Group IIA, IIB and IIC

II 2 D Ex tb IIIC Db

Zone 21, Zone 22 Group IIIA, IIIB and IIIC

#### IECEx Certifications

Ex db IIC Gb

Zone 1, Zone 2 Group IIA, IIB and IIC

Ex tb IIIC Db

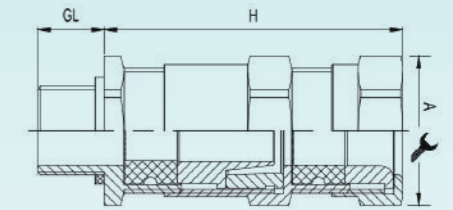
Zone 21, Zone 22 Group IIIA, IIIB and IIIC

### UL Certifications

Class I, Division 1, Group A B C D

Class II, Division 1, Group E F G

Type 4X



### Ordering Information

Metric Thread		NPT Thread		Armor range (mm)	Cable outer diameter (mm)	Thread length (mm)	Protrusion length (mm)	Across flats (mm)
Size	Cat.#	Size	Cat.#					
M16x1.5	SGA01M	-	-	4-10	6-12	15	61	26
-	-	NPT3/8"	SGA01N	4-10	6-12	15	67	26
M20x1.5	SGA02M	NPT1/2"	SGA02N	8-13	10-15	15	67.5	30
M25x1.5	SGA03M	NPT3/4"	SGA03N	12-16	14-18	15	67.5	34
M32x1.5	SGA04M	-	-	20-25	22-27	15	71	50
-	-	NPT1"	SGA04N	20-25	22-27	20	71	50
M40x1.5	SGA05M	-	-	24-31	26-33	15	71	55
-	-	NPT1 1/4"	SGA05N	24-31	26-33	20	71	55
M50x1.5	SGA06M	-	-	27-35	32-41	15	80	65
-	-	NPT1 1/2"	SGA06N	27-35	32-41	20	80	65
M63x1.5	SGA07M	-	-	42-50	48-57	20	81	80
-	-	NPT 2"	SGA07N	35-43	40-49	20	80	75

### Catalogue Numbering System

SGP

01

Thread Code

M16x1.5 – M63x1.5

NPT3/8" – NPT2"

M

Thread Type

M: Metric thread

N: NPT thread

KO

Kit Accessories

K0: no accessories

K1: Locknut & Seal washer

K2: Locknut & Seal washer & Earth lug

K3: Locknut & Seal washer & Earth lug & Serrated washer

K4: Locknut & Seal washer & Earth lug & Serrated washer & Sheath

## SA Series Adaptors and SR Series Reducers

SA series adaptors connect two same hubs sizes  
SR series reducer connect a certain hub size to a smaller  
For use in Hazardous Locations



### Application

- > SA series adaptors and SR series reducer are used for thread connection in heavy conduit resistance
- > Classified and hazardous locations where flammable vapors, gases, ignitable dusts, fibers or flying are present

### Features

- > SA series adaptors connect two same conduit hubs sizes together from two conduits ends
- > SR series reducer reduce two different conduit hubs sizes from a larger size to smaller size
- > Corrosion resistance, impact resistance
- > Metric thread (M16x1.5-M63x1.5) and NPT thread (NPT3/8" - NPT2")
- > Male thread/female thread, male thread/male thread, female thread/female thread
- > Ingress protection: standard IP66, optional IP68 with special sealing
- > Operating Temperature: -40°C ~ +100°C

### Standard Material

- > Nickel Plated Brass
- > 304 Stainless Steel
- > 316 Stainless Steel

### Kit Accessories Options

- K0: no accessories
- K1: O-Ring



### Certifications

#### ATEX Certifications

- II 2 G Ex d IIC Gb  
Zone 1, Zone 2 Group IIA, IIB and IIC
- II 2 D Ex tb IIIC Db  
Zone 21, Zone 22 Group IIIA, IIIB and IIIC

#### IECEx Certifications

- Ex d IIC Gb  
Zone 1, Zone 2 Group IIA, IIB and IIC
- Ex tb IIIC Db  
Zone 21, Zone 22 Group IIIA, IIIB and IIIC

#### UL Certifications

- Class I, Division 1, Group A B C D
- Class II, Division 1, Group E F G
- Type 4X

### Catalogue Numbering System

SA-

MM

Thread Type of Conduit Hub

MM: Male/Male thread    FF: Female /Female thread  
MF: Male/Female thread

01

Thread Code

M16x1.5 – M63x1.5  
NPT3/8" – NPT2"

KO

Kit Accessories

K0: no accessories  
K1: O-Ring

SR-

MM

Thread Type of Conduit Hub

MM: Male/Male thread    FF: Female /Female thread  
MF: Male/Female thread

01

Thread Code

M16x1.5 – M63x1.5  
NPT3/8" – NPT2"

KO

Kit Accessories

K0: no accessories  
K1: O-Ring

## Ordering Information

### SA Series Adaptors



Cat.#	Hub size	Cat.#	Hub size	Cat.#	Hub size
Male Thread/ Male Thread		Male Thread/ Female Thread		Female Thread / Female Thread	
SA-MM01	M16x1.5/NPT3/8"	SA-MF01	M16x1.5/NPT3/8"	SA-FF01	M16x1.5/NPT3/8"
SA-MM02	M20x1.5/NPT1/2"	SA-MF02	M20x1.5/NPT1/2"	SA-FF02	M20x1.5/NPT1/2"
SA-MM03	M25x1.5/NPT3/4"	SA-MF03	M25x1.5/NPT3/4"	SA-FF03	M25x1.5/NPT3/4"
SA-MM04	M32x1.5/NPT1"	SA-MF04	M32x1.5/NPT1"	SA-FF04	M32x1.5/NPT1"
SA-MM05	M40x1.5/NPT1 1/4"	SA-MF05	M40x1.5/NPT1 1/4"	SA-FF05	M40x1.5/NPT1 1/4"
SA-MM06	M50x1.5/NPT1 1/2"	SA-MF06	M50x1.5/NPT1 1/2"	SA-FF06	M50x1.5/NPT1 1/2"
SA-MM07	M63x1.5/NPT2"	SA-MF07	M63x1.5/NPT2"	SA-FF07	M63x1.5/NPT2"

### SR Series Reducers



Cat.#	Hub size	Cat.#	Hub size	Cat.#	Hub size
Male Thread/ Male Thread		Male Thread/ Female Thread		Female Thread / Female Thread	
SR-MM01A	M16x1.5/M20x1.5	SR-MF01A	M16x1.5/M20x1.5	SR-FF01A	M16x1.5/M20x1.5
SR-MM01B	M16x1.5/NPT1/2"	SR-MF01B	M16x1.5/NPT1/2"	SR-FF01B	M16x1.5/NPT1/2"
SR-MM01C	NPT3/8" /M20x1.5	SR-MF01C	NPT3/8" /M20x1.5	SR-FF01C	NPT3/8" /M20x1.5
SR-MM01D	NPT3/8" /NPT1/2"	SR-MF01D	NPT3/8" /NPT1/2"	SR-FF01D	NPT3/8" /NPT1/2"
SR-MM02A	M20x1.5/M25x1.5	SR-MF02A	M20x1.5/M25x1.5	SR-FF02A	M20x1.5/M25x1.5
SR-MM02B	M20x1.5/NPT3/4"	SR-MF02B	M20x1.5/NPT3/4"	SR-FF02B	M20x1.5/NPT3/4"
SR-MM02C	NPT1/2" /M25x1.5	SR-MF02C	NPT1/2" /M25x1.5	SR-FF02C	NPT1/2" /M25x1.5
SR-MM02D	NPT1/2" /NPT3/4"	SR-MF02D	NPT1/2" /NPT3/4"	SR-FF02D	NPT1/2" /NPT3/4"
SR-MM03A	M25x1.5/M32x1.5	SR-MF03A	M25x1.5/M32x1.5	SR-FF03A	M25x1.5/M32x1.5
SR-MM03B	M25x1.5/NPT1"	SR-MF03B	M25x1.5/NPT1"	SR-FF03B	M25x1.5/NPT1"
SR-MM03C	NPT3/4" /M32x1.5	SR-MF03C	NPT3/4" /M32x1.5	SR-FF03C	NPT3/4" /M32x1.5
SR-MM03D	NPT3/4" / NPT1"	SR-MF03D	NPT3/4" / NPT1"	SR-FF03D	NPT3/4" / NPT1"
SR-MM04A	M32x1.5/M40x1.5	SR-MF04A	M32x1.5/M40x1.5	SR-FF04A	M32x1.5/M40x1.5
SR-MM04B	M32x1.5/NPT1 1/4"	SR-MF04B	M32x1.5/NPT1 1/4"	SR-FF04B	M32x1.5/NPT1 1/4"
SR-MM04C	NPT1" /M40x1.5	SR-MF04C	NPT1" /M40x1.5	SR-FF04C	NPT1" /M40x1.5
SR-MM04D	NPT1" /NPT1 1/4"	SR-MF04D	NPT1" /NPT1 1/4"	SR-FF04D	NPT1" /NPT1 1/4"
SR-MM05A	M40x1.5/M50x1.5	SR-MF05A	M40x1.5/M50x1.5	SR-FF05A	M40x1.5/M50x1.5
SR-MM05B	M40x1.5/NPT1 1/2"	SR-MF05B	M40x1.5/NPT1 1/2"	SR-FF05B	M40x1.5/NPT1 1/2"
SR-MM05C	NPT1 1/4" /M50x1.5	SR-MF05C	NPT1 1/4" /M50x1.5	SR-FF05C	NPT1 1/4" /M50x1.5
SR-MM05D	NPT1 1/4" /NPT1 1/2"	SR-MF05D	NPT1 1/4" /NPT1 1/2"	SR-FF05D	NPT1 1/4" /NPT1 1/2"
SR-MM06A	M50x1.5/M63x1.5	SR-MF06A	M50x1.5/M63x1.5	SR-FF06A	M50x1.5/M63x1.5
SR-MM06B	M50x1.5/NPT2"	SR-MF06B	M50x1.5/NPT2"	SR-FF06B	M50x1.5/NPT2"
SR-MM06C	NPT1 1/2" /M63x1.5	SR-MF06C	NPT1 1/2" /M63x1.5	SR-FF06C	NPT1 1/2" /M63x1.5
SR-MM06D	NPT1 1/2" /NPT2"	SR-MF06D	NPT1 1/2" /NPT2"	SR-FF06D	NPT1 1/2" /NPT2"



## SU Series Unions and SE Series Elbows

SU series unions connect hubs with detachable assembly  
SE series elbows connect hubs with 90°/45° direction change  
For use in Hazardous Locations



### Application

- > SU series unions and SE series elbows are installed to connect conduit to conduit, a conduit fitting, junction box or device enclosure in rigid conduit systems
- SU series unions are designed to connect conduits without change of direction
- SE series elbows are designed to change direction in threaded rigid conduit by 90° or 45° angle
- > Classified and hazardous locations where flammable vapors, gases, ignitable dusts, fibers or flying are present

### Features

- > SU series unions and SE series elbows have taped thread in both two ends
  - M/F: One end is male thread, the other end is female thread
  - M/M: Both two ends are male thread
  - F/F: Both two ends are female thread
- > Compact threaded design which permits detachable assembly for both two ends, ease the connection and disconnection for two ends conduits
- > Super corrosion resistance, high strength impact resistance
- > Suitable thread for both two ends:
  - SU series unions
    - Metric thread (M16x1.5-M63x1.5) and NPT thread (NPT3/8" - NPT2")
  - SE series elbows
    - Metric thread (M16x1.5-M115x1.5) and NPT thread (NPT3/8" - NPT4")
- > Ingress protection: standard IP66, optional IP68 with special sealing
- > Operating Temperature: -40°C ~ +100°C

### Standard Material

- > Carbon Steel
- > Nickel Plated Brass
- > 304 Stainless Steel
- > 316 Stainless Steel

### Kit Accessories Options

- K0: no accessories
- K1: O-Ring



### Certifications

#### ATEX Certifications

- II 2 G Ex d IIC Gb  
Zone 1, Zone 2 Group IIA, IIB and IIC
- II 2 D Ex tb IIIC Db  
Zone 21, Zone 22 Group IIIA, IIIB and IIIC

#### IECEX Certifications

- Ex d IIC Gb  
Zone 1, Zone 2 Group IIA, IIB and IIC
- Ex tb IIIC Db  
Zone 21, Zone 22 Group IIIA, IIIB and IIIC

#### UL Certifications

- Class I, Division 1, Group A B C D
- Class II, Division 1, Group E F G
- Type 4X

## Ordering Information

### SU Series Unions

Cat.#	Hub size	Cat.#	Hub size	Cat.#	Hub size
Male Thread/ Female Thread		Male Thread/ Male Thread		Female Thread / Female Thread	
SU-MF01A	M16x1.5/ M16x1.5	SU-MM01A	M16x1.5/ M16x1.5	SU-FF01A	M16x1.5/ M16x1.5
SU-MF01B	NPT3/8" /NPT3/8"	SU-MM01B	NPT3/8" /NPT3/8"	SU-FF01B	NPT3/8" /NPT3/8"
SU-MF02A	M20x1.5/ M20x1.5	SU-MM02A	M20x1.5/ M20x1.5	SU-FF02A	M20x1.5/ M20x1.5
SU-MF02B	NPT1/2" /NPT1/2"	SU-MM02B	NPT1/2" /NPT1/2"	SU-FF02B	NPT1/2" /NPT1/2"
SU-MF03A	M25x1.5/ M25x1.5	SU-MM03A	M25x1.5/ M25x1.5	SU-FF03A	M25x1.5/ M25x1.5
SU-MF03B	NPT3/4" /NPT3/4"	SU-MM03B	NPT3/4" /NPT3/4"	SU-FF03B	NPT3/4" /NPT3/4"
SU-MF04A	M32x1.5/ M32x1.5	SU-MM04A	M32x1.5/ M32x1.5	SU-FF04A	M32x1.5/ M32x1.5
SU-MF04B	NPT1" /NPT1"	SU-MM04B	NPT1" /NPT1"	SU-FF04B	NPT1" /NPT1"
SU-MF05A	M40x1.5/ M40x1.5	SU-MM05A	M40x1.5/ M40x1.5	SU-FF05A	M40x1.5/ M40x1.5
SU-MF05B	NPT1 1/4" /NPT1 1/4"	SU-MM05B	NPT1 1/4" /NPT1 1/4"	SU-FF05B	NPT1 1/4" /NPT1 1/4"
SU-MF06A	M50x1.5/ M50x1.5	SU-MM06A	M50x1.5/ M50x1.5	SU-FF06A	M50x1.5/ M50x1.5
SU-MF06B	NPT1 1/2" /NPT1 1/2"	SU-MM06B	NPT1 1/2" /NPT1 1/2"	SU-FF06B	NPT1 1/2" /NPT1 1/2"
SU-MF07A	M63x1.5/ M63x1.5	SU-MM07A	M63x1.5/ M63x1.5	SU-FF07A	M63x1.5/ M63x1.5
SU-MF07B	NPT2" /NPT2"	SU-MM07B	NPT2" /NPT2"	SU-FF07B	NPT2" /NPT2"



Male Thread/ Female Thread



Male Thread/ Male Thread



Female Thread / Female Thread

### Catalogue Numbering System

**SU-**

**MM**

Thread Type of Conduit Hub

- MM: Male/Male thread
- MF: Male/Female thread
- FF: Female /Female thread

**01A**

Thread Type

- M16x1.5 - M63x1.5
- NPT3/8" - NPT2"

**KO**

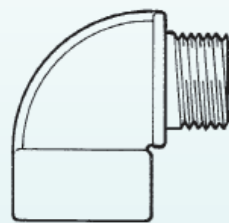
Kit Accessories

- K0: no accessories
- K1: O-Ring

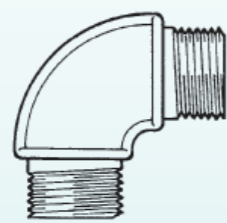
## SE Series Elbows

Cat.#	Hub size	Cat.#	Hub size	Cat.#	Hub size
Male Thread/ Female Thread		Male Thread/ Male Thread		Female Thread / Female Thread	
SE-MF01A	M16x1.5/ M16x1.5	SE-MM01A	M16x1.5/ M16x1.5	SE-FF01A	M16x1.5/ M16x1.5
SE-MF01B	NPT3/8" /NPT3/8"	SE-MM01B	NPT3/8" /NPT3/8"	SE-FF01B	NPT3/8" /NPT3/8"
SE-MF02A	M20x1.5/ M20x1.5	SE-MM02A	M20x1.5/ M20x1.5	SE-FF02A	M20x1.5/ M20x1.5
SE-MF02B	NPT1/2" /NPT1/2"	SE-MM02B	NPT1/2" /NPT1/2"	SE-FF02B	NPT1/2" /NPT1/2"
SE-MF03A	M25x1.5/ M25x1.5	SE-MM03A	M25x1.5/ M25x1.5	SE-FF03A	M25x1.5/ M25x1.5
SE-MF03B	NPT3/4" /NPT3/4"	SE-MM03B	NPT3/4" /NPT3/4"	SE-FF03B	NPT3/4" /NPT3/4"
SE-MF04A	M32x1.5/ M32x1.5	SE-MM04A	M32x1.5/ M32x1.5	SE-FF04A	M32x1.5/ M32x1.5
SE-MF04B	NPT1" /NPT1"	SE-MM04B	NPT1" /NPT1"	SE-FF04B	NPT1" /NPT1"
SE-MF05A	M40x1.5/ M40x1.5	SE-MM05A	M40x1.5/ M40x1.5	SE-FF05A	M40x1.5/ M40x1.5
SE-MF05B	NPT1 1/4" /NPT1 1/4"	SE-MM05B	NPT1 1/4" /NPT1 1/4"	SE-FF05B	NPT1 1/4" /NPT1 1/4"
SE-MF06A	M50x1.5/ M50x1.5	SE-MM06A	M50x1.5/ M50x1.5	SE-FF06A	M50x1.5/ M50x1.5
SE-MF06B	NPT1 1/2" /NPT1 1/2"	SE-MM06B	NPT1 1/2" /NPT1 1/2"	SE-FF06B	NPT1 1/2" /NPT1 1/2"
SE-MF07A	M63x1.5/ M63x1.5	SE-MM07A	M63x1.5/ M63x1.5	SE-FF07A	M63x1.5/ M63x1.5
SE-MF07B	NPT2" /NPT2"	SE-MM07B	NPT2" /NPT2"	SE-FF07B	NPT2" /NPT2"
SE-MF08A	M75x1.5/ M75x1.5	SE-MM08A	M75x1.5/ M75x1.5	SE-FF08A	M75x1.5/ M75x1.5
SE-MF08B	NPT2 1/2" /NPT2 1/2"	SE-MM08B	NPT2 1/2" /NPT2 1/2"	SE-FF08B	NPT2 1/2" /NPT2 1/2"
SE-MF09A	M90x1.5/ M90x1.5	SE-MM09A	M90x1.5/ M90x1.5	SE-FF09A	M90x1.5/ M90x1.5
SE-MF09B	NPT3" /NPT3"	SE-MM09B	NPT3" /NPT3"	SE-FF09B	NPT3" /NPT3"
SE-MF10A	M115x1.5/ M115x1.5	SE-MM10A	M115x1.5/ M115x1.5	SE-FF10A	M115x1.5/ M115x1.5
SE-MF10B	NPT4" /NPT4"	SE-MM10B	NPT4" /NPT4"	SE-FF10B	NPT4" /NPT4"

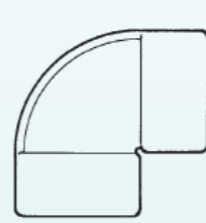
\* Standard angle is 90°, optional 45°.



90°Male & Female Thread



90°Male & Male Thread



90°Female & Female Thread



45°Female & Female Thread

### Catalogue Numbering System

SE-	MM
Thread Type of Conduit Hub	
MM: Male/Male thread	
MF: Male/Female thread	
FF: Female /Female thread	
FF45: 45° Female/Female Thread	

01A
Thread Type
M16x1.5 – M115x1.5
NPT3/8" – NPT4"

K0
Kit Accessories
K0: no accessories
K1: O-Ring

## SCB Series Conduit Outlet Boxes

Connect cable conductors in different directions  
For use in Hazardous Locations



### Application

> SCB series conduit outlet boxes are installed in rigid conduit systems:

- Protect cable conductors in threaded rigid conduit
- Change conduit direction
- Provide access for cable conductors when maintenance needs and future replacement
- Offer mounting outlets for luminaires

> Classified and hazardous locations where flammable vapors, gases, ignitable dusts, fibers or flying are present

### Features

> Exposed ears on cover permit easy removal and tightening

> Threaded cover opening

> Electrostatic surface powder finish, grey

> Built-in terminal blocks for 2.5mm<sup>2</sup> cable

> Ten different kinds of conduit direction arrangement

> Silicon sealing cover to reach IP66

> Suitable thread: Metric thread (M20x1.5-M63x1.5) and NPT thread (NPT1/2" - NPT2")

> Operating Temperature: -40°C ~ +55°C

### Standard Material

Aluminum Alloy

Cast iron

### Certifications

#### ATEX Certifications

- II 2 G Ex d IIC Gb  
Zone 1, Zone 2 Group IIA, IIB and IIC
- II 2 D Ex tb IIIC Db  
Zone 21, Zone 22 Group IIIA, IIIB and IIIC

#### IECEx Certifications

- Ex d IIC Gb  
Zone 1, Zone 2 Group IIA, IIB and IIC
- Ex tb IIIC Db  
Zone 21, Zone 22 Group IIIA, IIIB and IIIC

#### UL Certifications

- Class I, Division 1, Group A B C D
- Class II, Division 1, Group E F G
- Type 4X

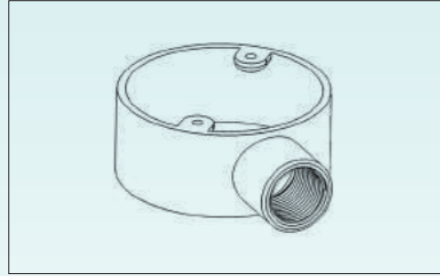
### Catalogue Numbering System

SCB-	A	01	M
Conduit Direction Type	Thread Code	Thread Type	
A-J	M20x1.5 – M63x1.5 NPT1/2" – NPT2"	M: Metric thread N: NPT thread	

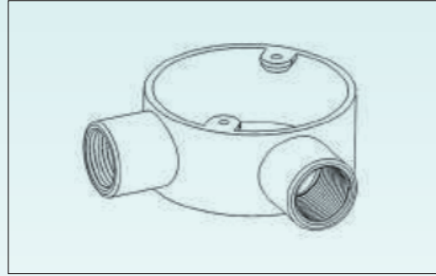


## Ordering Information

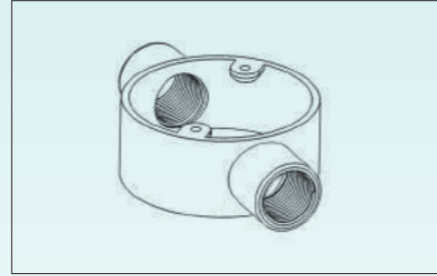
Type A



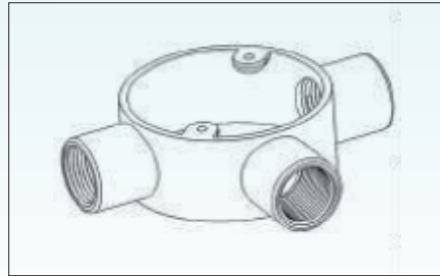
Type B



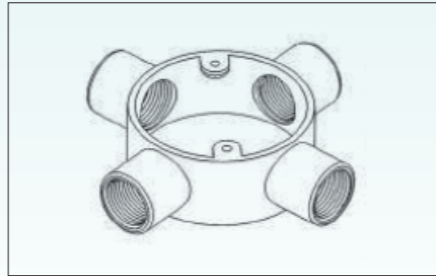
Type C



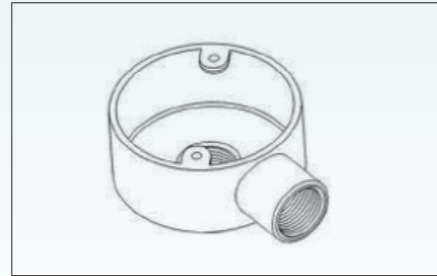
Type D



Type E



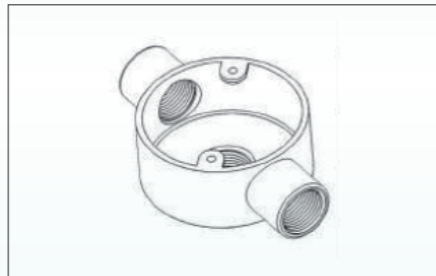
Type F



Type G



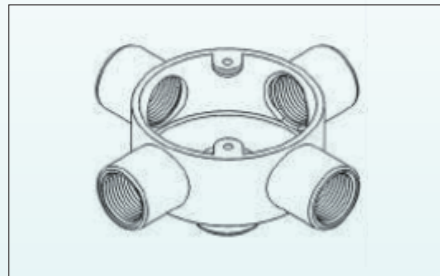
Type H



Type I



Type J



Cat.#	Metric Thread (M)	NPT Thread (N)
SCB-□01M/N	M20x1.5	NPT1/2"
SCB-□02M/N	M25x1.5	NPT3/4"
SCB-□03M/N	M32x1.5	NPT1"
SCB-□04M/N	M40x1.5	NPT1 1/4"
SCB-□05M/N	M50x1.5	NPT1 1/2"
SCB-□06M/N	M63x1.5	NPT2"

\*□= Type A,B,C,D,E,F,G,H,I,J

## SCC Series Conduit Couplings

Connect hubs with 90° bend  
For use in Hazardous Locations



### Application

> SCC series coupling outlet boxes are installed in rigid conduit systems:

- Provide 90° bend for branch conduit
- Connect conduit ends from different directions
- Pull and splice for cable conductors
- Offer mounting outlets for luminaires
- Hide exposed cable conductors in sealing condition
- Connect inner lengths for conduit
- Provide access for cable conductors when maintenance needs and future replacement

> Classified and hazardous locations where flammable vapors, gases, ignitable dusts, fibers or flying are present



### Features

- > Designed taped thread to match conduit size for neat, compact installations
- > Electrostatic surface powder finish, grey, and clean surface ease maintenance
- > Superior durability lower replacement cost
- > Seven different kinds of conduit layout arrangement
- > Flameproof joint between body and cover, ensure wire insulation and proper safety protection
- > Silicon sealing cover to reach IP66
- > Suitable thread: Metric thread (M20x1.5-M63x1.5) and NPT thread (NPT1/2" - NPT2")
- > Operating Temperature: -40 °C ~ +100 °C

### Standard Material

Aluminum Alloy

Cast iron

### Certifications

#### ATEX Certifications

- Ex II 2 G Ex d IIC Gb  
Zone 1, Zone 2 Group IIA, IIB and IIC
- Ex II 2 D Ex tb IIIC Db  
Zone 21, Zone 22 Group IIIA, IIIB and IIIC

#### IECEx Certifications

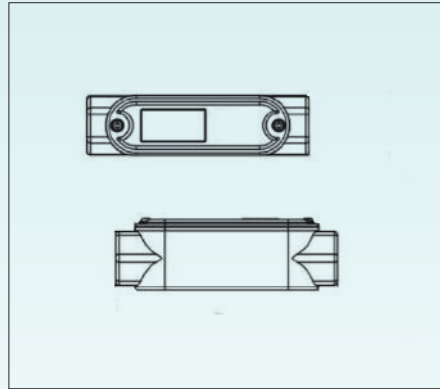
- Ex d IIC Gb  
Zone 1, Zone 2 Group IIA, IIB and IIC
- Ex tb IIIC Db  
Zone 21, Zone 22 Group IIIA, IIIB and IIIC

#### UL Certifications

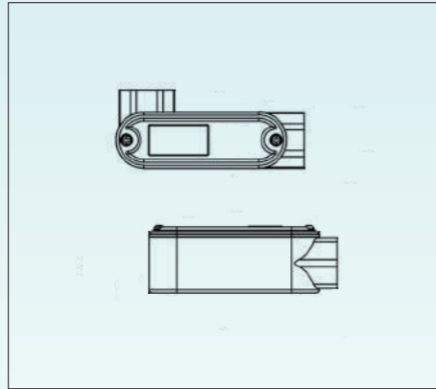
- Class I, Division 1, Group A B C D
- Class II, Division 1, Group E F G
- Type 4X

## Ordering Information

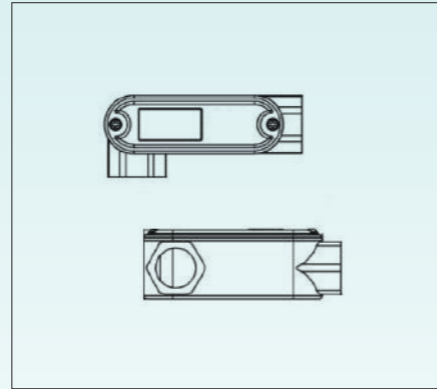
Type A



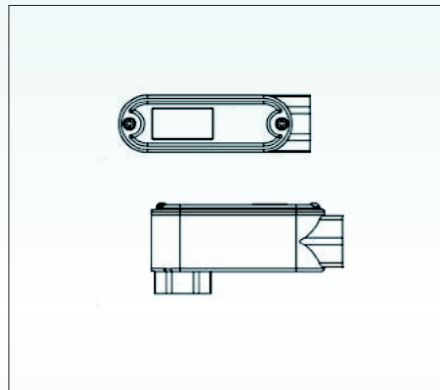
Type B



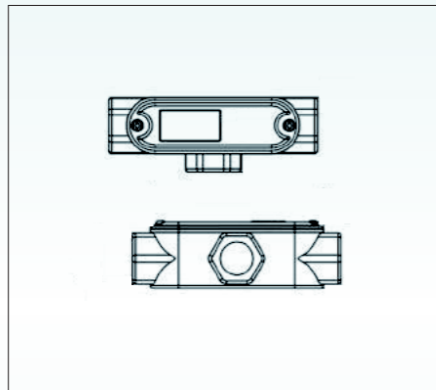
Type C



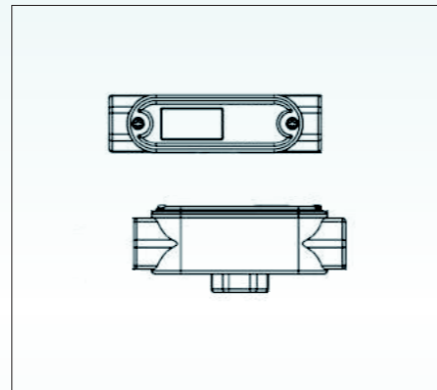
Type D



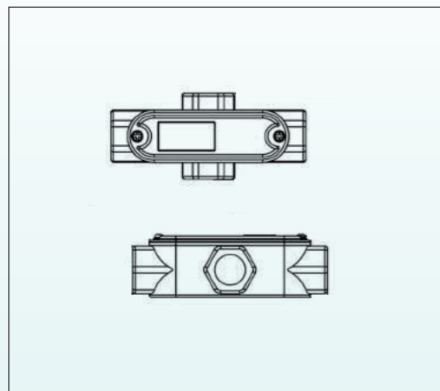
Type E



Type F



Type G



Cat.#	Metric Thread (M)	NPT Thread (N)
SCC-□01M/N	M20x1.5	NPT1/2"
SCC-□02M/N	M25x1.5	NPT3/4"
SCC-□03M/N	M32x1.5	NPT1"
SCC-□04M/N	M40x1.5	NPT1 1/4"
SCC-□05M/N	M50x1.5	NPT1 1/2"
SCC-□06M/N	M63x1.5	NPT2"

\*□= Type A,B,C,D,E,F,G

### Catalogue Numbering System

**SCC-**  
Conduit Direction Type  
A-G

**01**  
Thread Code  
M20x1.5 – M63x1.5  
NPT1/2" – NPT2"

**M**  
Thread Type  
M: Metric thread  
N: NPT thread

## SCS Series Conduit Sealing Couplings with Drains Plug

Connect hubs with sealing  
For use in Hazardous Locations



### Application

> SCS series conduit sealing coupling are installed in conduit system to reduce accumulation of condensate inside the conduit

- In vertical direction of conduit
- At low points in conduit system

> Classified and hazardous locations where flammable vapors, gases, ignitable dusts, fibers or flying are present



### Features

- > Limit mechanical explosion impact from the sealed couplings inside to outside
- > Control the overloading pressure and pre-compression in conduit system
- > Restrict the passage of gases, vapors or flames from one portion of the electrical installation to another
- > SCS-B series conduit sealing couplings with drain plug offer continuous automatic drainage of condensate
- > Ensure conductor or cable insulation from damage
- > Designed taped thread to ease the access for conduit connection
- > Electrostatic surface powder finish, grey, and clean surface ease maintenance
- > Suitable thread: Metric thread (M20x1.5-M63x1.5) and NPT thread (NPT1/2" - NPT2")
- > Operating Temperature: -40 °C ~ +100 °C

### Standard Material

- > Aluminum Alloy
- > Cast iron
- > Stainless steel

### Certifications

#### ATEX Certifications

- II 2 G Ex d IIC Gb  
Zone 1, Zone 2 Group IIA, IIB and IIC
- II 2 D Ex tb IIIC Db  
Zone 21, Zone 22 Group IIIA, IIIB and IIIC

#### IECEx Certifications

- Ex d IIC Gb  
Zone 1, Zone 2 Group IIA, IIB and IIC
- Ex tb IIIC Db  
Zone 21, Zone 22 Group IIIA, IIIB and IIIC

#### UL Certifications

- Class I, Division 1, Group A B C D
- Class II, Division 1, Group E F G
- Type 4X

### Catalogue Numbering System

**SCS-**  
Conduit Direction Type  
A1,A2,B,C

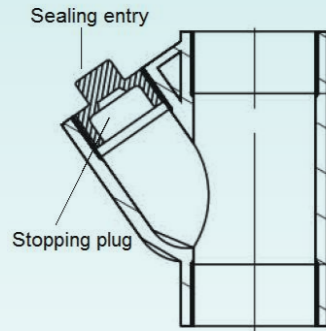
**01**  
Thread Code  
M20x1.5 – M63x1.5  
NPT1/2" – NPT2"

**M**  
Thread Type  
M: Metric thread  
N: NPT thread



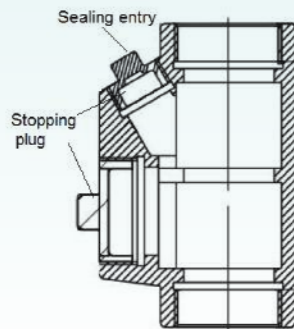
## Ordering Information

Type A1



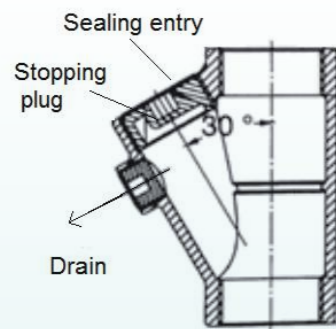
Cat. #	Metric Thread (M)	NPT Thread(N)
SCS-A1-01M/N	M20x1.5	NPT1/2"
SCS-A1-02M/N	M25x1.5	NPT3/4"
SCS-A1-03M/N	M32x1.5	NPT1"
SCS-A1-04M/N	M40x1.5	NPT1 1/4"
SCS-A1-05M/N	M50x1.5	NPT1 1/2"
SCS-A1-06M/N	M63x1.5	NPT2"

Type A2



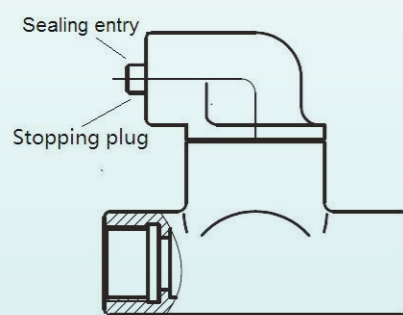
Cat. #	Metric Thread (M)	NPT Thread(N)
SCS-A2-01M/N	M20x1.5	NPT1/2"
SCS-A2-02M/N	M25x1.5	NPT3/4"
SCS-A2-03M/N	M32x1.5	NPT1"
SCS-A2-04M/N	M40x1.5	NPT1 1/4"
SCS-A2-05M/N	M50x1.5	NPT1 1/2"
SCS-A2-06M/N	M63x1.5	NPT2"

Type B



Cat. #	Metric Thread (M)	NPT Thread(N)
SCS-B-01M/N	M20x1.5	NPT1/2"
SCS-B-02M/N	M25x1.5	NPT3/4"
SCS-B-03M/N	M32x1.5	NPT1"
SCS-B-04M/N	M40x1.5	NPT1 1/4"
SCS-B-05M/N	M50x1.5	NPT1 1/2"
SCS-B-06M/N	M63x1.5	NPT2"

Type C



Cat. #	Metric Thread (M)	NPT Thread(N)
SCS-C-01M/N	M20x1.5	NPT1/2"
SCS-C-02M/N	M25x1.5	NPT3/4"
SCS-C-03M/N	M32x1.5	NPT1"
SCS-C-04M/N	M40x1.5	NPT1 1/4"
SCS-C-05M/N	M50x1.5	NPT1 1/2"
SCS-C-06M/N	M63x1.5	NPT2"

## SFC Series Flexible Couplings

Connect hubs with different flexible bends

For use in Hazardous Locations



### Application

> SFC series flexible coupling are installed in rigid conduit systems:

- Provide different bends degree from any direction where lack of working space
- Permit movement, vibration and replacement for connected equipments
- Flexible connection at both conduit ends
- Pull and splice for cable conductors
- Hide exposed cable conductors in corrosive condition

> Classified and hazardous locations where flammable vapors, gases, ignitable dusts, fibers or flying are present

### Features

> Taped thread at both ends

> Mechanical pressure resistance for heavy equipment

> Waterproof for wet locations

> Superior durability lower replacement cost

> SFC series flexible couplings have taped thread in both two ends

M/F: One end is male thread, the other end is female thread

M/M: Both two ends are male thread

F/F: Both two ends are female thread

> Flameproof joint for coupling and conduit ends, against explosive pressure and electrical sparks

> Inner sealing to reach IP66

> Suitable thread: Metric thread (M20x1.5-M115x1.5) and NPT thread (NPT1/2" – NPT4")

> Operating Temperature:-40°C ~+55°C

### Standard Material

Stainless steel

Optional: Silicone rubber

### Standard length

> L1:500mm / 20"

> L2:700mm / 28"

> L3:1000mm / 40"

> L4:1200mm / 47"

> L5:1500mm / 59"

> L6:2000mm / 79"

### Certifications

#### ATEX Certifications

Ex II 2 G Ex d IIC Gb

Zone 1, Zone 2 Group IIA, IIB and IIC

Ex II 2 D Ex tb IIIC Db

Zone 21, Zone 22 Group IIIA, IIIB and IIIC

#### IECEx Certifications

Ex d IIC Gb

Zone 1, Zone 2 Group IIA, IIB and IIC

Ex tb IIIC Db

Zone 21, Zone 22 Group IIIA, IIIB and IIIC

UL Certifications

Class I, Division 1, Group A B C D

Class II, Division 1, Group E F G

Type 4X

Ordering Information

Cat.#	Thread Option		Length (mm/inch)
	Metric Thread (M)	NPT Thread (N)	
SFC-01M/N	M20x1.5	NPT1/2"	L1:500mm / 20"
SFC-02M/N	M25x1.5	NPT3/4"	L2:700mm / 28"
SFC-03M/N	M32x1.5	NPT1"	L3:1000mm / 40"
SFC-04M/N	M40x1.5	NPT1 1/4"	L4:1200mm / 47"
SFC-05M/N	M50x1.5	NPT1 1/2"	L5:1500mm / 59"
SFC-06M/N	M63x1.5	NPT2"	L6:2000mm / 79"

Catalogue Numbering System



- M20x1.5 – M63x1.5
- NPT1/2" – NPT2"



- M: Metric thread
- N: NPT thread



- L1: 500mm / 20"
- L2: 700mm / 28"
- L3:1000mm / 40"
- L4:1200mm / 47"
- L5:1500mm / 59"
- L6:2000mm / 79"





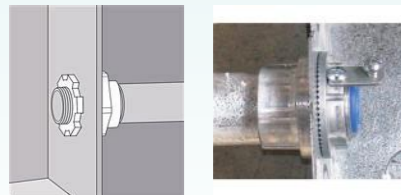
## SH Series Conduit Hubs

For Rigid Metal Conduit (RMC), IMC, EMT  
For use in Hazardous Locations



### Standard Material

- > Threaded termination of electrical conduit through thin wall of sheet metal enclosure
- > Connection indoors or outdoors with rigid metal conduit (RMC), IMC, EMT.
- > Classified and hazardous locations where flammable vapors, gases, ignitable dusts, fibers or flying are present



### Application

- > Tapered female thread for rigid metal conduit (RMC), IMC, EMT
- > Designed strong and oversized serrations assure tight bite into wall of sheet metal enclosure
- > Insulated throat protects conductors when pulling the cables
- > Recessed O-ring to assure water-proof and dust-proof connections
- > Optional added safety grounding screw
- > NPT thread (NPT3/8" – NPT6")
- > Ingress protection: standard IP66
- > Operating Temperature: -15°C ~ +120°C

### Standard Material

- > Zinc Die Cast
- > Aluminium Alloy

### Certifications

#### ATEX Certifications

- II 2 G Ex e II Gb  
Zone 1, Zone 2 Group IIA, IIB and IIC
- II 2 D Ex tb III Db  
Zone 21, Zone 22 Group IIIA, IIIB and IIIC

#### UL Certifications

- Class I, Division 2, Group A B C D
- Class II, Division 1, Group E F G
- Type 4X

#### IECEx Certifications

- Ex e II Gb  
Zone 1, Zone 2 Group IIA, IIB and IIC
- Ex tb IIIC Db  
Zone 21, Zone 22 Group IIIA, IIIB and IIIC

## Ordering Information

### Zinc Die Cast

Cat. #	Hub size
SH-Z01	NPT3/8"
SH-Z02	NPT1/2"
SH-Z03	NPT3/4"
SH-Z04	NPT1"
SH-Z05	NPT1 1/4"
SH-Z06	NPT1 1/2"
SH-Z07	NPT2"
SH-Z08	NPT2 1/2"
SH-Z09	NPT3"
SH-Z10	NPT4"
SH-Z11	NPT5"
SH-Z12	NPT6"



### Zinc Die Cast

Cat. #	Hub size
SH-Z01G	NPT3/8"
SH-Z02G	NPT1/2"
SH-Z03G	NPT3/4"
SH-Z04G	NPT1"
SH-Z05G	NPT1 1/4"
SH-Z06G	NPT1 1/2"
SH-Z07G	NPT2"
SH-Z08G	NPT2 1/2"
SH-Z09G	NPT3"
SH-Z10G	NPT4"
SH-Z11G	NPT5"
SH-Z12G	NPT6"



### Zinc Die Cast

Cat. #	Hub size
SH-A01	NPT3/8"
SH-A02	NPT1/2"
SH-A03	NPT3/4"
SH-A04	NPT1"
SH-A05	NPT1 1/4"
SH-A06	NPT1 1/2"
SH-A07	NPT2"
SH-A08	NPT2 1/2"
SH-A09	NPT3"
SH-A10	NPT4"
SH-A11	NPT5"
SH-A12	NPT6"



### Zinc Die Cast

Cat. #	Hub size
SH-Z01G	NPT3/8"
SH-Z02G	NPT1/2"
SH-Z03G	NPT3/4"
SH-Z04G	NPT1"
SH-Z05G	NPT1 1/4"
SH-Z06G	NPT1 1/2"
SH-Z07G	NPT2"
SH-Z08G	NPT2 1/2"
SH-Z09G	NPT3"
SH-Z10G	NPT4"
SH-Z11G	NPT5"
SH-Z12G	NPT6"



## Catalogue Numbering System

SH-	Z	01	G
Material	Thread Size	Grounding	
Z: Zinc Die Cast	01: NPT3/8"	Blank	
A: Aluminium Alloy	02: NPT1/2"	G: With Grounding	

## SL Series Liquid Tight Connector

For Liquid-tight Flexible Metal Conduit (LFMC)  
For use in Hazardous Locations



### Application

- > Threaded connection of liquid tight flexible metal conduit through thin wall of sheet metal enclosure
- > Direct connection outdoors with liquid tight flexible metal conduit (LFMC) in wet, dusty and corrosive environments.
- > Classified and hazardous locations where flammable vapors, gases, ignitable dusts, fibers or flying are present



### Features

- > Long steel ferrule connect liquid tight flexible metal conduit (LFMC) to avoid pulling out
- > Designed locknut assure tight fixing with thin wall of sheet metal enclosure
- > Insulated throat protects conductors when pulling the cables
- > Seal gasket to assure liquidtight, raintight, oiltight protection
- > Available in straight, 90 degree and 45 degree bend
- > Optional added safety grounding screw
- > NPT thread (NPT3/8" – NPT6")
- > Ingress protection: standard IP66
- > Operating Temperature: -15°C ~ +120°C

### Standard Material

- > Malleable Iron
- > Zinc Die Cast

### Certifications

#### ATEX Certifications

- II 2 G Ex e II Gb  
Zone 1, Zone 2 Group IIA, IIB and IIC
- II 2 D Ex tb III Db  
Zone 21, Zone 22 Group IIIA, IIIB and IIIC

#### UL Certifications

- Class I, Division 2, Group A B C D
- Class II, Division 1, Group E F G
- Type 4X

#### IECEx Certifications

- Ex e II Gb  
Zone 1, Zone 2 Group IIA, IIB and IIC
- Ex tb IIIC Db  
Zone 21, Zone 22 Group IIIA, IIIB and IIIC

## Ordering Information

### Straight Connector, Malleable Iron



Cat. #	Hub size
SL-MA01	NPT3/8"
SL-MA02	NPT1/2"
SL-MA03	NPT3/4"
SL-MA04	NPT1"
SL-MA05	NPT1 1/4"
SL-MA06	NPT1 1/2"
SL-MA07	NPT2"
SL-MA08	NPT2 1/2"
SL-MA09	NPT3"
SL-MA10	NPT4"

### 90°Angle Connector, Malleable Iron



Cat. #	Hub size
SL-MB01	NPT3/8"
SL-MB02	NPT1/2"
SL-MB03	NPT3/4"
SL-MB04	NPT1"
SL-MB05	NPT1 1/4"
SL-MB06	NPT1 1/2"
SL-MB07	NPT2"
SL-MB08	NPT2 1/2"
SL-MB09	NPT3"
SL-MB10	NPT4"

### 45°Angle Connector, Malleable Iron



Cat. #	Hub size
SL-MC01	NPT3/8"
SL-MC02	NPT1/2"
SL-MC03	NPT3/4"
SL-MC04	NPT1"
SL-MC05	NPT1 1/4"
SL-MC06	NPT1 1/2"
SL-MC07	NPT2"
SL-MC08	NPT2 1/2"
SL-MC09	NPT3"
SL-MC10	NPT4"

### Straight Connector, Malleable Iron



Cat. #	Hub size
SL-ZA01	NPT3/8"
SL-ZA02	NPT1/2"
SL-ZA03	NPT3/4"
SL-ZA04	NPT1"
SL-ZA05	NPT1 1/4"
SL-ZA06	NPT1 1/2"
SL-ZA07	NPT2"
SL-ZA08	NPT2 1/2"
SL-ZA09	NPT3"
SL-ZA10	NPT4"

### 90°Angle Connector, Zinc Die Cast



Cat. #	Hub size
SL-ZC01	NPT3/8"
SL-ZC02	NPT1/2"
SL-ZC03	NPT3/4"
SL-ZC04	NPT1"
SL-ZC05	NPT1 1/4"
SL-ZC06	NPT1 1/2"
SL-ZC07	NPT2"
SL-ZC08	NPT2 1/2"
SL-ZC09	NPT3"
SL-ZC10	NPT4"

### 45°Angle Connector, Zinc Die Cast



Cat. #	Hub size
SL-ZB01	NPT3/8"
SL-ZB02	NPT1/2"
SL-ZB03	NPT3/4"
SL-ZB04	NPT1"
SL-ZB05	NPT1 1/4"
SL-ZB06	NPT1 1/2"
SL-ZB07	NPT2"
SL-ZB08	NPT2 1/2"
SL-ZB09	NPT3"
SL-ZB10	NPT4"

### Catalogue Numbering System

SL-	M	A	01	G
	Material	Connector Type	Thread Size	Grounding
	M: Malleable Iron Z: Zinc Die Cast	A: Straight type B: 90° bend type C: 45° bend type	01: NPT3/8" 02: NPT1/2" ... 10: NPT4"	Blank G: With Grounding